



# Installation instructions, accessories

Volvo Car Corporation Gothenburg, Sweden

Instruction No	Version	Part. No.
31664644	1.0	31664643, 31664642

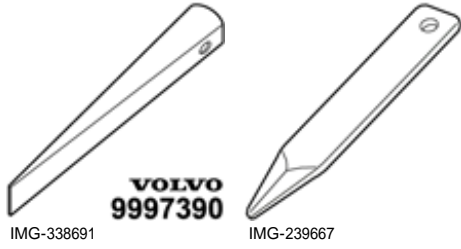
## Mirrors, door, cover



# Installation instructions, accessories

Volvo Car Corporation Gothenburg, Sweden

## Equipment



IMG-427705



# Installation instructions, accessories

Volvo Car Corporation Gothenburg, Sweden

## Information

1

Read through all of the instructions before starting installation.

Notifications and warning texts are for your safety and to minimise the risk of something breaking during installation.

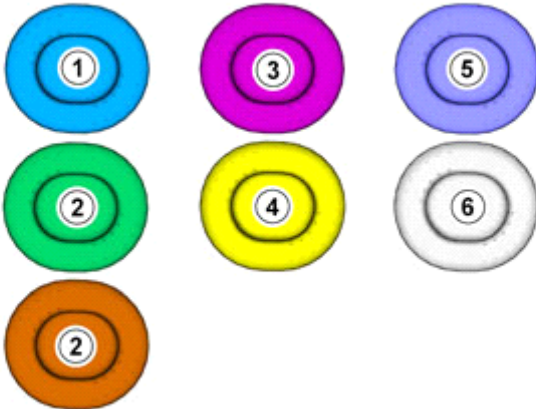
Ensure that all tools stated in the instructions are available before starting installation.

Certain steps in the instructions are only presented in the form of images. Explanatory text is also given for more complicated steps.

In the event of any problems with the instructions or the accessory, contact your local Volvo dealer.

## Color symbols

2



IMG-363036

### Note!

This colour chart displays (in colour print and electronic version) the importance of the different colours used in the images of the method steps.

- Used for focused component, the component with which you will do something.
- Used as extra colors when you need to show or differentiate additional parts.
- Used for attachments that are to be removed/installed. May be screws, clips, connectors, etc.
- Used when the component is not fully removed from the vehicle but only hung to the side.
- Used for standard tools and special tools.
- Used as background color for vehicle components.

## Removal



# Installation instructions, accessories

Volvo Car Corporation Gothenburg, Sweden

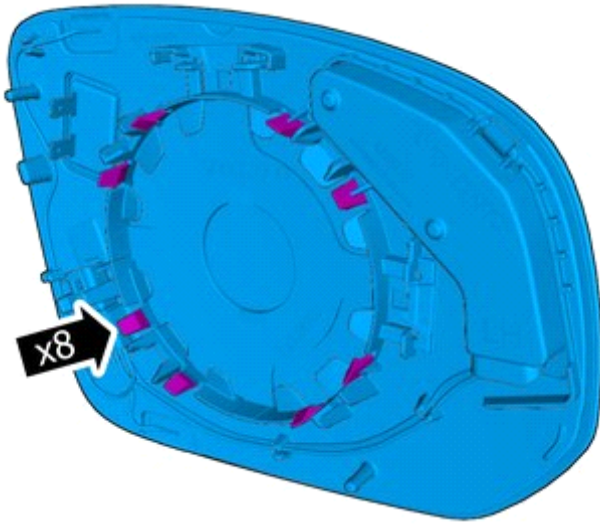
3



IMG-410027

Tilt the component somewhat.

4



IMG-427701

The graphic shows the back of the component.

5



IMG-410022

**Caution!**

Observe caution, the glass breaks easily.

Remove the glass from the mirror.

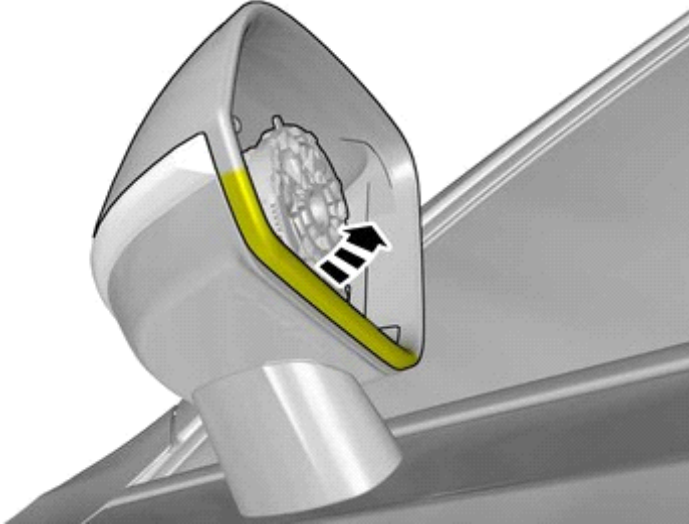
Disconnect any connector(s).



# Installation instructions, accessories

Volvo Car Corporation Gothenburg, Sweden

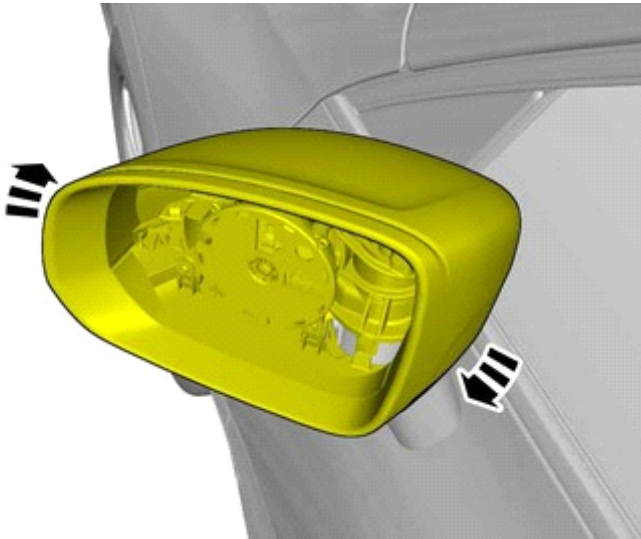
6



IMG-419335

Loosen the component indicated. Do not remove it.

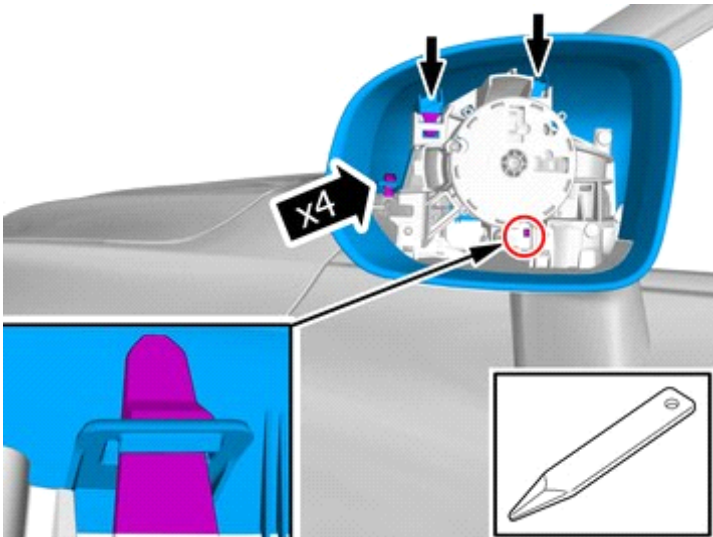
7



IMG-427690

Tilt the component somewhat.

8



IMG-427685

Release the catches.

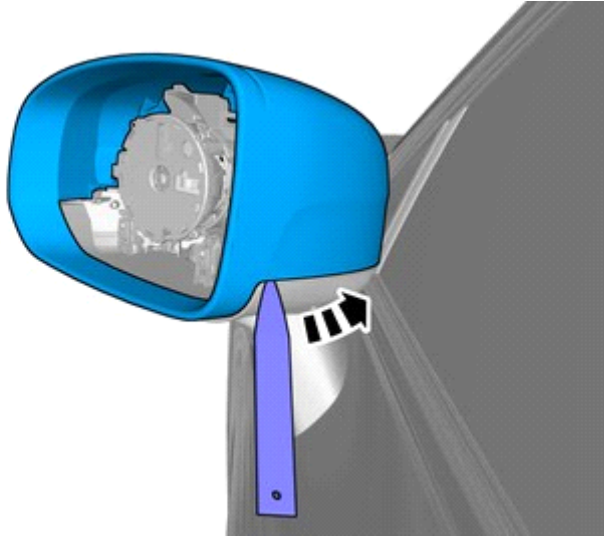
**Use:** Interior trim remover



# Installation instructions, accessories

Volvo Car Corporation Gothenburg, Sweden

9

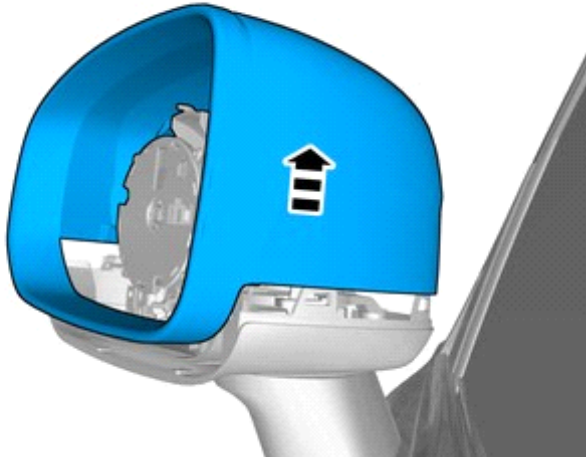


IMG-427691

Release the catches.

**Use:** Interior trim remover

10



IMG-427696

Remove the marked part.

The part is not to be reused.

**Accessory installation**



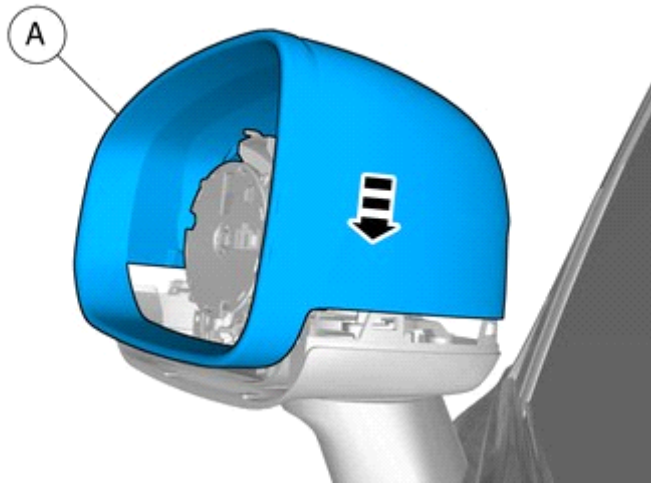
# Installation instructions, accessories

Volvo Car Corporation Gothenburg, Sweden

11

Install component that comes with the accessory kit.

Ensure that all clips engage.



IMG-427697

---

## Installation

12

Reinstall the removed parts in reverse order.

13

Repeat all method steps for the other side.

---